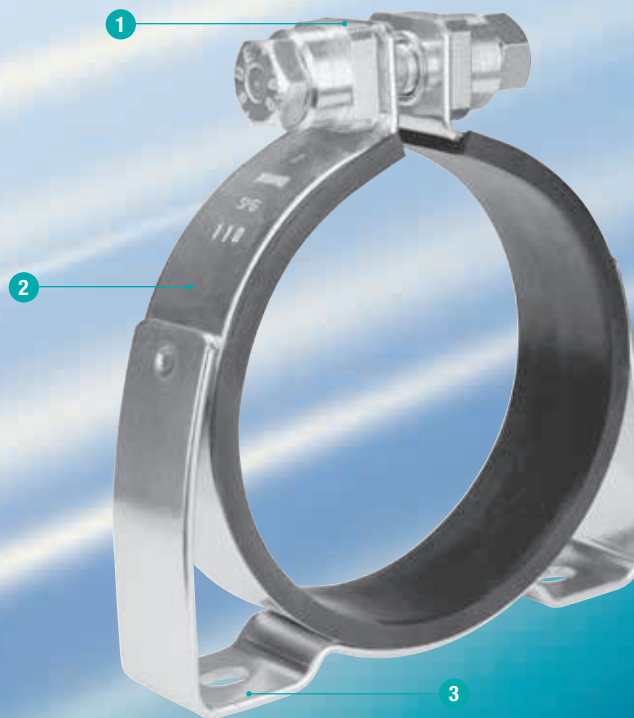


## NORMAFIX® HMK

### Retaining clamps with brackets

NORMAFIX® HMK retaining clamps with brackets are used when high mechanical force is needed, for retaining containers or pipes on ceilings and walls as well as in machine building and plant construction applications.

- 1 Powerful clamping brackets structure**
  - secure grip
- 2 Robust band with rounded edges**
  - prevents injuries and damage to hoses
- 3 Sturdy bracket**
  - secure retention



#### Advantages at a glance

- For high mechanical force
- Stable construction
- Chrome 6 free surface

#### Applications

- Machine building
- Chemical industry
- Irrigation systems
- Ship manufacturing
- Food and beverage industry
- Railway industry
- Agricultural machines
- Building machines
- Engine manufacturing
- Pump and filter
- Mining industry

## Versions

### NORMAFIX® HMK single-part heavy-duty design

181 6011 ... In W1, available with diameters from 80 to 600. Also available in W4: 181 6242 ...



### NORMAFIX® HMK two-part heavy-duty design

In this version, the ends of the brackets are folded back and spot-welded onto the band. Thanks to this structure, the clamp is suitable for use with even high mechanical loads and for retaining extremely heavy pipes and containers.



The heavy-duty version of the retaining clamps is available in one or two parts, and with a band width of 30 mm. All heavy-duty designs are fitted with an EPDM rubber profile.

181 6025 ... In W1, available with diameters from 103 to 720. Diagrams with precise dimensions are available on request. Also available in W4: 181 6236 ...

### NORMAFIX® HMK standard design

This version features an "open" bracket, making it suitable for all applications in which relatively light structures are being retained and which are subject to low mechanical loads. The standard version of the retaining clamps is available in one or two parts, and with band widths of 15, 20 and 25 mm.



These clamps can be fitted with a rubber profile for shock absorption purposes. The rubber profile simultaneously protects against the ingress of creeping water.

### NORMAFIX® K

NORMAFIX® K products are prefabricated brackets which you can use to transform NORMACLAMP® standard clamps (types A, GBS, HD, SP and TORRO®) into retaining clamps with brackets in no time at all.

Just open the standard clamp, guide the band through the bracket slot – and that's all there is to it.

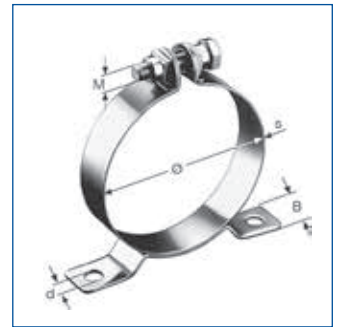
NORMAFIX® K brackets are made from W1 and are available with K1 geometry.



## HMK dimensioning

### NORMAFIX® HMK standard design

Dimensions available on request.



## Materials

W1	W2	W3	W4	W5
x				x*

\* On request.

## Ordering information

When submitting requests and orders, please specify the data in the following way

	1. Type	2. Parts	3. Diameter	4. Band width	5. Bolt	6. Material
Example	SPGU	6011	100/	30	SK	W1

## Rubber profiles

The rubber profiles are available in EPDM (type a) and silicone (type b) material versions.

B = band width of clamp

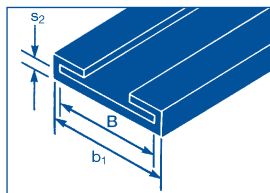
$b_1$  = width in mm

$s_2$  = material thickness in mm

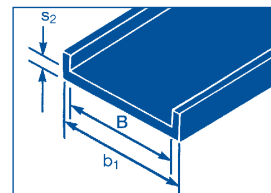
All rubber profiles are installed at the factory; i.e. the clamps concerned are supplied ready for use.

When submitting requests/orders for NORMAFIX® HMK retaining clamps with brackets, please specify which rubber profile you require.

Silicone (b)



EPDM (a)



B	$b_1 \approx$	$s_2$
15	18.5	1.5
20	25	2.0
25	31	3.0
30	36	3.0

## Sizes, band widths & materials

### NORMAFIX® HMK (standard design)

NORMAFIX® HMK										
Band width in mm	Minimum ø	Bolts		d in mm	Rubber profile		Part Group	s		
		Sz	Sk		Dimensions	Silicone		EPDM	W1	W5
15	25	•	–	M 6 x 30	6.5	•	•	1416	0.8	0.6
20	30	•	–	M 8 x 40	8.5	•	•	1516	1.0	0.8
25	50	–	•	M 10 x 45	11	•	•	1616	1.5	1.0

### NORMAFIX® K

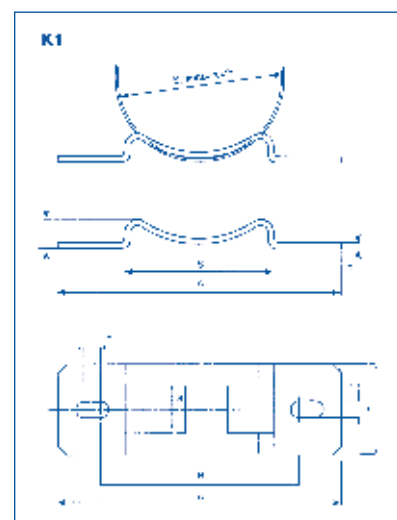
NORMAFIX® K													
Size	Clamping range	Addition to clamp ø	Max clamp band width	a	A	B	S	d	E	h	L	t	
0	40–62	1 mm	20 mm	21	120	85	62	9	40	13	8	3	
1	63–80												
2	81–100												
3	101–118	3 mm	25 mm	26	156	100	82	9	50	15	18	3	
4	119–136												
5	137–163												
6	163–180												
7	181–207	3 mm	25 mm	26	236	152	132	9	60	24	32	3	
8	208–234												
9	235–259	6 mm	30 mm	31.5	300	214	190	11	60	34	32	4	
10	261–298												
11	300–337												
12	339–389	6 mm	30 mm	31.5	400	320	290	11	60	48	32	4	
13	391–441												
14	443–493												

## Versions

### NORMAFIX® K

The following NORMA® standard clamps can be equipped/retrofitted with NORMAFIX® K:

- NORMACLAMP® TORRO® (band width 12 mm)
- NORMACLAMP® A (band width 14 mm)
- NORMACLAMP® HD (band width 16 mm)
- NORMACLAMP® S (band width 15, 20, 25, 30 mm)
- NORMACLAMP® GBS (band width 18, 20, 25, 30 mm)





## **NORMA Group**

Postfach 11 49 · D-63461 Maintal  
Edisonstraße 4 · D-63477 Maintal

Tel: +49 (61 81) 4 03-0  
Fax: +49 (61 81) 4 03-210

[www.normagroup.com](http://www.normagroup.com)  
[info@normagroup.com](mailto:info@normagroup.com)

This datasheet supersedes all previous issues. No part of this publication may be reproduced without our prior written consent. In NORMA Group's policy of continual product improvements to meet user needs and technological developments, all models and sets listed in this folder (photographs, specifications, sizes and weights) may be upgraded or discontinued without notice and without any obligation on our part to modify tools or equipment sold previously. The recommendations for use and safety given in this folder do not replace accepted good practice or the safety related legal and regulatory provisions. References to standards implemented at 01/02/2012 are not contractually binding.